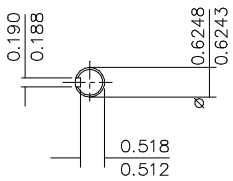
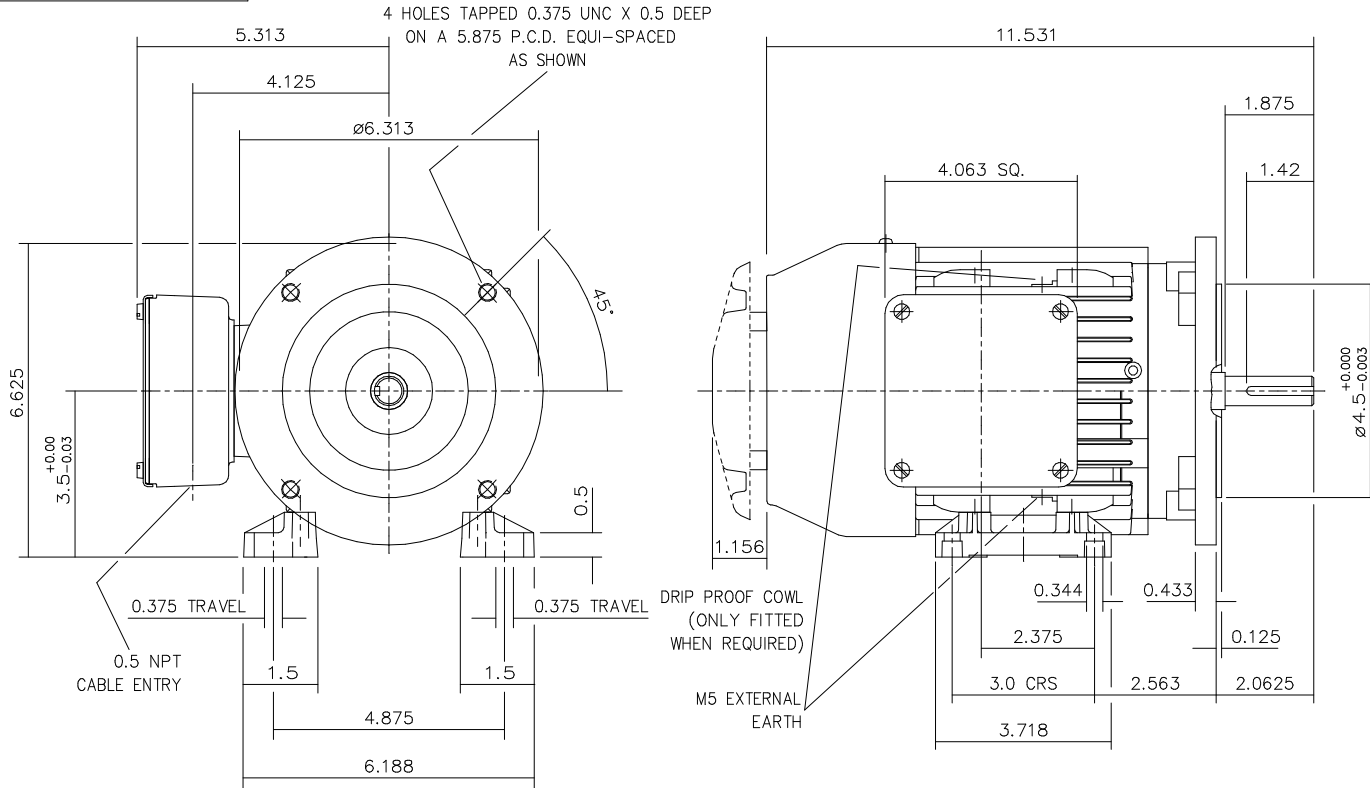


DRG. No. W56GE001/0

DRG. REF.



VIEW ON SHAFT EXTENSION

DRIP PROOF COWL (ONLY FITTED WHEN REQUIRED)

M5 EXTERNAL EARTH

TERMINAL BOX POSITION: - CAN BE ARRANGED AT EITHER 9,12 OR 3 O'CLOCK BY MOVING STANDARD TERMINAL BOX POSITION IS 3 O'CLOCK AS SHOWN.
 CONDUIT ENTRIES: - TERMINAL BOX CAN BE ROTATED AT 90° INTERVALS (CONDUIT ENTRY POSITION SHOWN FOR ILLUSTRATION ONLY).
 NOTE: CARE SHOULD BE TAKEN TO ENSURE THAT SCREWS OR STUDS DO NOT EXTEND INSIDE THE MOTOR BEYOND THE DEPTH OF THE THREAD FIXING HOLE

CUSTOMER		
ORDER No.		
PART No.		
OUR ORDER No.		
FRAME SIZE		
KW.	RPM.	
Hz	PHASE	
VOLTS	POLES	
BRGS.	DE.	NDE.
MOTOR NETT WT.	Kg.	
SPECIAL REMARKS		

ALL DIMENSIONS IN INCHES.



BROOK CROMPTON

Huddersfield, HD1 3LJ
ENGLAND

SHEET SIZE	TITLE
A3	OUTLINE DIMENSION DRAWING ALUMINIUM TOTALLY ENCLOSED FAN COOLED 2-DA56 FRAME FOOT AND 'C' FACE MOUNTED MOTOR

	NAME	DATE
DRAWN	RR	27-05-99
CHECKED	DJR	07-07-99
SCALE	1: 2.5	

DRG. No.	W56GE001/0		
DRG. REF.			
REVISION:		DATE	